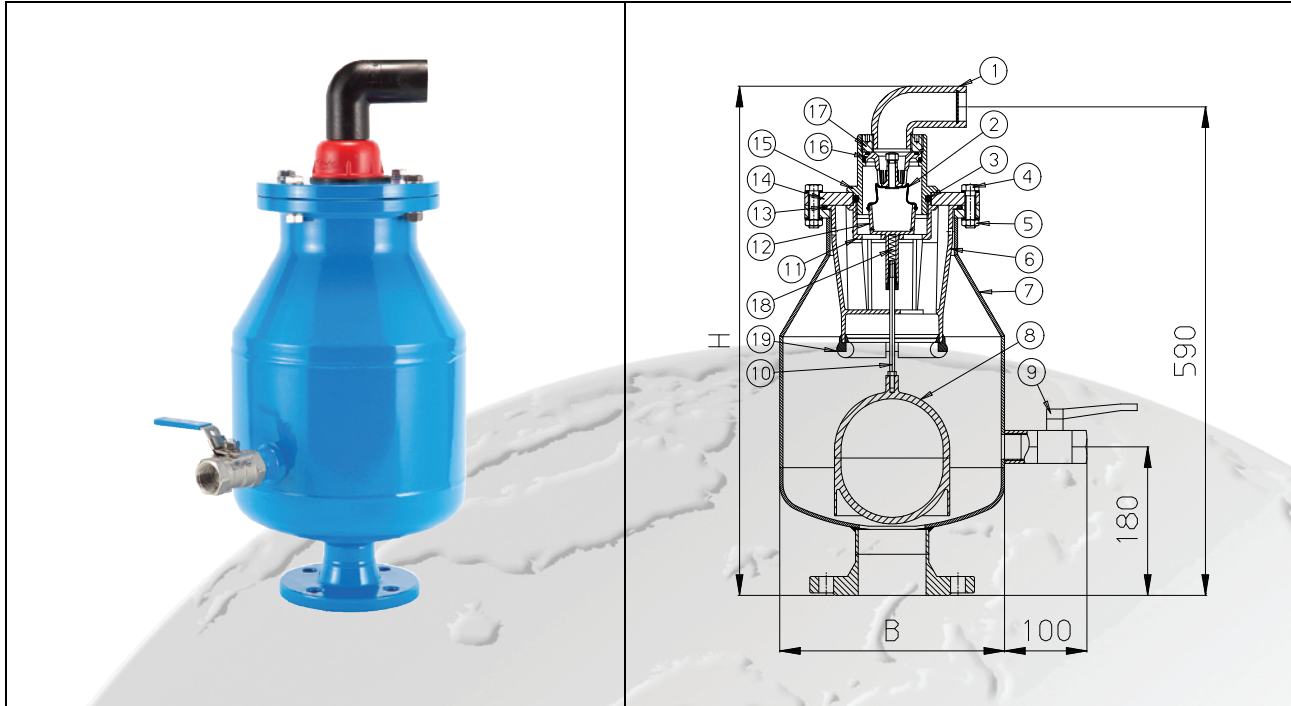


# Automatic Air and Vacuum Valve For Waste Water and Potable Water



**Model 986**

**Automatic air and vacuum release valve for  
operating range: 0 – 250 PSI (17.2 Bar)**



Type	Size ANSI/DN	Flange Maximum Pressure PSI/Bar	Body Material	Overall Width B Inch/mm	Overall Height H Inch/mm	Weight lbs./Kg
-01	2" FNPT	- - -	Steel	10.63" 270 mm	23.2" 600 mm	50.7 lbs. 23.0 Kg
-03	2" DN 50	250 PSI 17.2 Bar	Steel	10.63" 270 mm	24.21" 615 mm	51.8 lbs. 23.5 Kg
-05	3" DN 80	250 PSI 17.2 Bar	Steel	10.63" 270 mm	24.21" 615 mm	55.1 lbs. 25.0 Kg
-07	4" DN 100	250 PSI 17.2 Bar	Steel	10.63" 270 mm	24.21" 615 mm	57.3 lbs. 26.0 Kg
-09	6" DN 150	250 PSI 17.2 Bar	Steel	10.63" 270 mm	24.21" 615 mm	61.7 lbs. 28.0 Kg
-11	8" DN 200	250 PSI 17.2 Bar	Steel	10.63" 270 mm	24.21" 615 mm	72.8 lbs. 33.0 Kg

1700 Enterprise Way, Suite 116 - Marietta, GA 30067 - Phone: +1 770-818-0670 - Fax: +1 770-818-0671

Edition March 2009 – Subject to alteration without notice

# Automatic Air and Vacuum Valve For Waste Water and Potable Water



## Materials:

No.	Component	Series – Epoxy-coated Steel
1	Outlet elbow with strainer, 1,5"	Polyethylene (PE) 100
2	Cup seal with retaining ring	Buna NBR
3	O-ring 79 x 7 mm	Buna NBR
4	Hex Head Bolt	Stainless Steel
5	Hexagon nut	Stainless Steel
6	Deflector	Polyethylene (PE)
7	Body	Steel - epoxy powder coated
8	Float	Delrin® POM <sup>1</sup>
9	Ball valve, 1"	Stainless Steel
10	Float spindle, complete	Stainless Steel
11	Body nut with grid	Delrin® POM <sup>1</sup>
12	Membrane holder, complete	Delrin® POM <sup>1</sup>
13	O-ring 157 x 6 mm.	Buna NBR
14	Clamping flange	Steel - epoxy powder coated
15	Valve body & cover	Delrin® POM <sup>1</sup>
16	Valve basket with Buna N O-rings	Delrin® POM <sup>1</sup>
17	Threaded ring	Delrin® POM <sup>1</sup>
18	Pressure spring	Stainless Steel
19	Damper ring	Buna NBR

Notes: <sup>1</sup> Polyoximethylene

## Features:

Automatic and infinitely variable air valve for potable water and waste water applications

Maximum Operating Pressure: 250 PSI (17.2 Bar)

Operating Range: 0 – 250 PSI ( 0 -17.2 Bar)

Maximum Air Release Capacity: 135 CFM (230 m<sup>3</sup>/hr)

Valve bodies of epoxy-coated steel

Valve seat does not contact the medium (air cushion).

Two connections for effective flushing during maintenance work (top inlet flushing connection)

All mechanical parts are manufactured of corrosion-resistant materials; valve body is epoxy-coated steel

Read and follow the operating and maintenance instructions

## Valve Maintenance:

Air valves must be tested for function and maintained at least once per year. Valve must be shut off and flushed at both lateral connections.